

BOLTING TOOLS

■ Model No. MFS-8

Height: 287 mm
Weight: 6.5 kgs

■ Specifications:

Max. Pressure: 700 bar
Max Output: 8 tons

■ Spreader Capacity:

Model No.	Tip Clearance	Max. Spread	Type
MFS-8	6 mm	81 mm	Mechanical

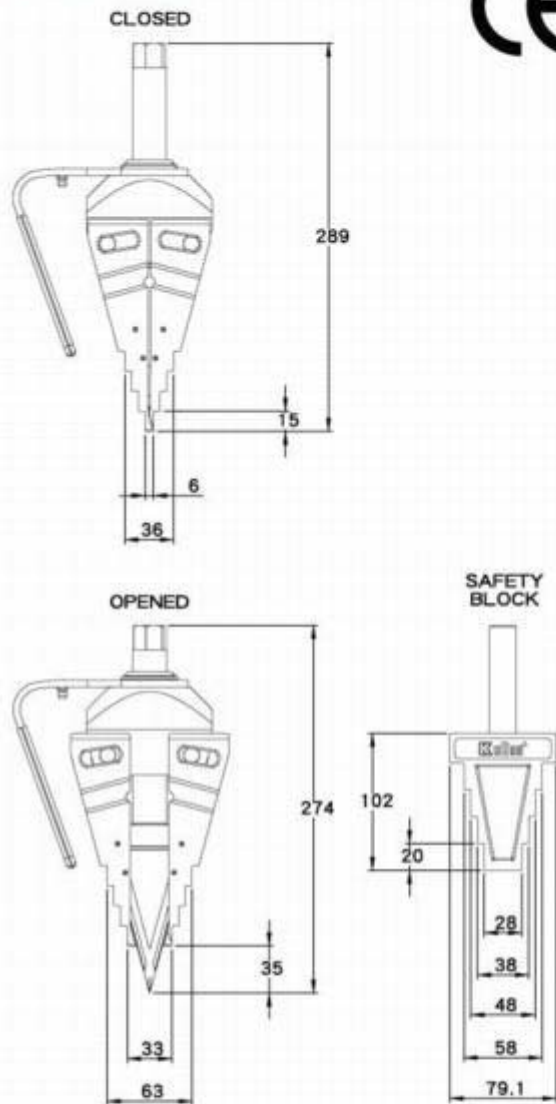
■ Features:

- Integrated wedge concept: friction-free, smooth, parallel wedge movement eliminates flange damage and spreading arm failure.
- Unique interlocking wedge design: no first step bending and risk of slipping out of joint.
- Requires very small access gap of only 6 mm (.24 in).
- Few moving parts means durability and low maintenance.

■ Accessories:

Wrench (Option)

■ Dimensions:



KUDOS USA FLANGE SPREADER MFS-8